

TITAN STAINLESS

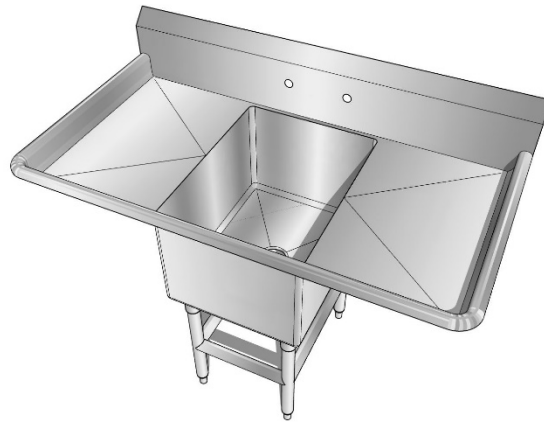
CUSTOM FOODSERVICE FABRICATION

502 Usher Street · Pageland, SC · 704-243-8717 · www.titan-stainless.com



ONE-COMPARTMENT SINK WITH TWO DRAINBOARDS

TITAN STAINLESS sinks are made using all-welded heavy gauge stainless steel construction. The backs of the sinks are formed into a 9" tall x 2" thick backsplash with angled top; all other edges feature our standard 3"H raised rolled edge. Sink bowls are fully welded to the top and covered with a 5/8" radius all around. 8" O.C. faucet holes are provided in the backsplash above (plumbing components are not provided). 1-5/8" diameter tubing is fitted into stainless steel leg sockets, which are welded to reinforcement below the top and/or sinks, preventing surface imperfections. Legs are removable, and furnished with adjustable stainless steel bullet feet. 1-5/8" diameter cross-rails are welded to the table legs. All welds are ground and polished to a smooth finish.



MODEL NUMBER SELECTION / INFORMATION

(Example #: 1C1824-2D18)

Sinks are specified by the sink bowl size, and the overall dimensions are dictated by the dimensions of the sink bowls and drainboards (if any). Sink bowls are available in the following sizes: 18x18, 18x24, 20x28, 24x24, 24x30, and 30x30 (all 14" deep). Example: #1C1824-2D18 finishes at 54" left-to-right and 30" front-to-back.

- See **AutoQuotes™** for full list of model numbers and pricing, along with all additional accessories
- Custom sizes and configurations are available upon request

