

# TITAN STAINLESS CUSTOM FOODSERVICE FABRICATION



502 Usher Street · Pageland, SC · 704-243-8717 · [www.titan-stainless.com](http://www.titan-stainless.com)

## TABLE CABINET WITH FLAT TOP AND HINGED DOORS

TITAN STAINLESS Table cabinets are made using all-welded heavy gauge stainless steel construction. The front edges of the countertops feature our standard nosing: 1-1/2" flange down with 1/2" return at 45°. All other edges are turned down tight over the cabinet body. Tops are bolted to cabinet walls and reinforcement below. Cabinet walls are faced with 2" wide mullions, and base shelves and mid-shelves are welded between and reinforced as necessary. Doors with recessed pulls are mounted on stainless steel flag hinges, and can be removed. Cabinets are furnished with 6" tall legs with adjustable stainless steel bullet feet. All welds are ground and polished to a smooth finish.

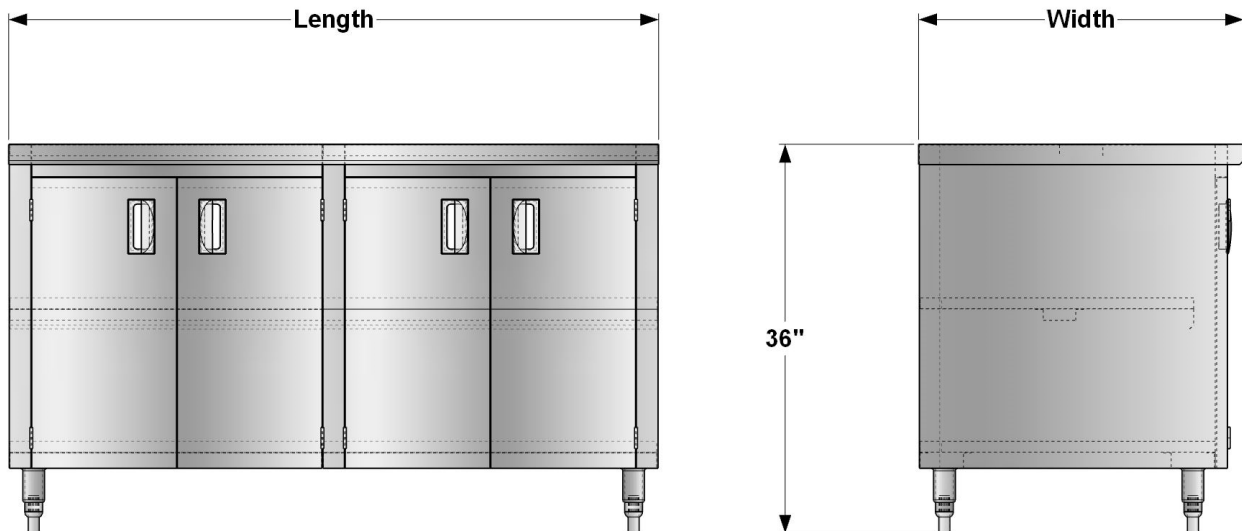


## MODEL NUMBER SELECTION / INFORMATION

(Example #: 5STCD-30)

Table cabinets are available in standard lengths from 2'-0" to 12'-0", in 1-foot increments. Standard widths (front-to-back) are available in 24", 30", and 36". Units over 6'-0" long will be furnished with an additional set of legs.

- See **AutoQuotes™** for full list of model numbers and pricing, along with all additional accessories
- Custom sizes and configurations are available upon request



**TITAN STAINLESS**  
502 Usher Street · PO Box 8 · Pageland, SC 29728  
Contact: 704-243-8717 · [quotes@titan-stainless.com](mailto:quotes@titan-stainless.com) · [www.titan-stainless.com](http://www.titan-stainless.com)

